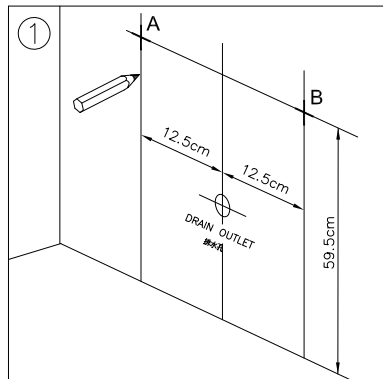


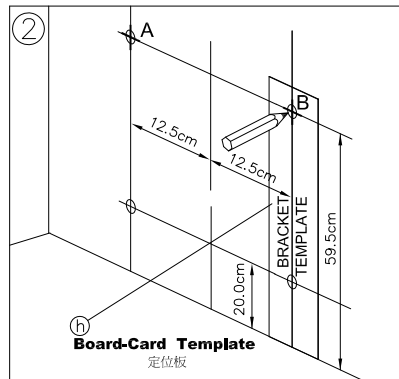
INSTALLATION GUIDE

BASIN TABLE

枱面組安裝說明

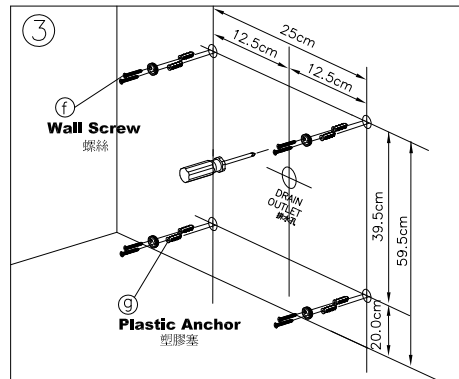


Mark two vertical lines A & B both sides 12.5cm from the center of drain outlet.
用鉛筆在距離牆上排水孔左右各12.5公分處，畫上垂直線。



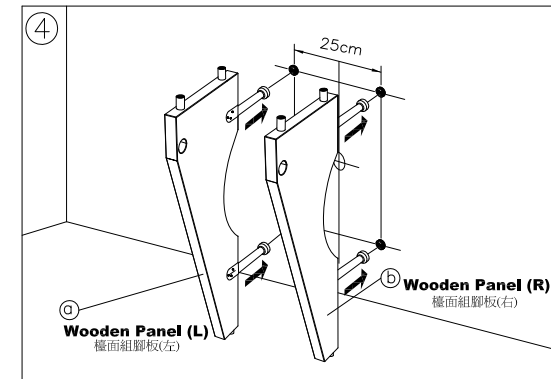
Use attached **Board-Card Template** to mark four circles for install **Brackets**. Before mark the four circles, please make sure the floor is square to the wall and ensure the height between marked-circles and floor are correct as shown on figure #2.

使用隨附的定位板，如圖②置放在垂直線上，並用鉛筆在牆上畫上四個圓圈作為牆上固定基座的記號。在畫上記號前，必須注意牆角及地面是否平整且與牆面垂直，並再次確認四個記號間與地面的距離。

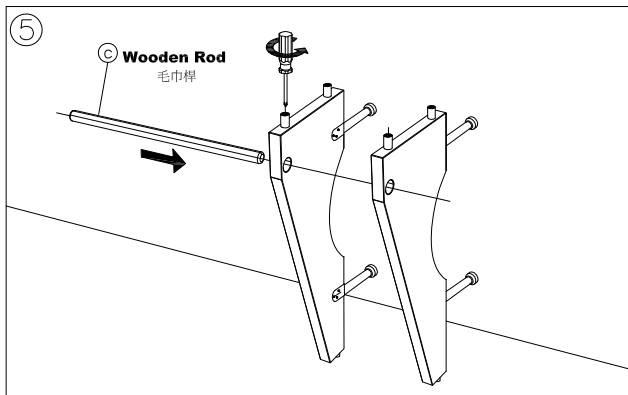


Place **Bracket** right in each of circle-marks and mark centers of mounting holes on wall. Using 6mm drill, drill holes in marked positions and insert the **Plastic Anchors** flush with the wall, then install four **Brackets** on wall for fixing **Wooden Panels**.

先將固定基座置放在牆壁圓形記號上，描畫出要鑽孔的位置點，鑽孔後填入塑膠塞使之齊平於牆面，再以螺絲把固定基座鎖緊。

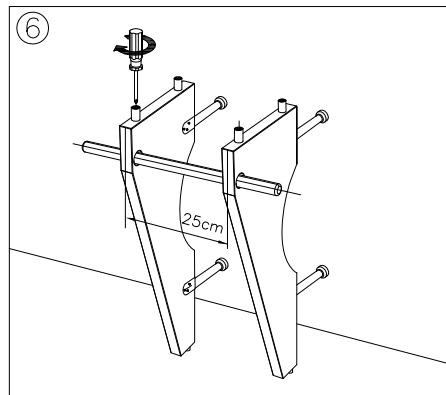


Screw each of **Wooden Panels'** tube-end caps clockwise onto four **Brackets**. Tighten each of tube-end caps.
將檯面組腳板末端的支架法蘭蓋，套入已經鎖在牆面上的固定基座，以順時鐘方向鎖緊於基座上。



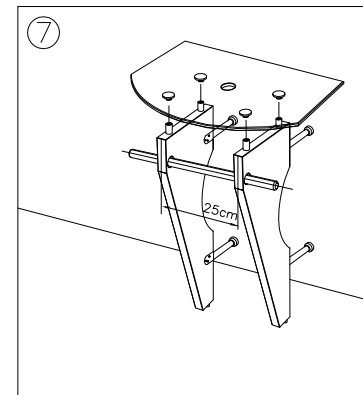
Loosen the two front screws back, the screws are situated inside of front adjustable pillars, ensure the front screws are back enough and the holes on **Wooden Panels** are unobstructed for pass through the **Wooden Rod**.

以逆時鐘方向鬆開在左右兩塊檯面組腳板前上方的螺絲，將螺絲調整到能使毛巾桿順利通過檯面組腳板洞口為原則。



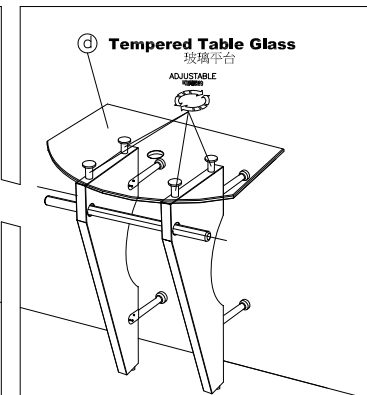
Slide the **Wooden Rod** through the holes of **Wooden Panels** on proper position, then hold 25cm between the centerline of two **Wooden Panels** and tighten front screws to fix **Wooden Rod**.

將毛巾桿穿過洞口，調整到如圖面所示的適當位置後，以順時鐘方向將螺絲鎖緊以固定毛巾桿。



Place **Tempered Table Glass** with **Wooden Panels** in position, screws adjustable pillar onto table screws as figure shown. Level **Tempered Table Glass** by twisting adjustable pillar.

旋轉在檯面組腳板上方的可調整金屬柱，將玻璃平台與檯面組腳板組合，並調整桌面水平，即完成檯面組裝。



FIXING CONTENTS

組配件內容

① **Wooden Panel (L)** X1
檯面組腳板(左)



② **Wooden Panel (R)** X1
檯面組腳板(右)



③ **Wooden Rod** X1
毛巾桿



④ **Tempered Table Glass** X1
玻璃平台



⑤ **Bracket** X4
固定基座



⑥ **Wall Screw** X8
螺絲



⑦ **Plastic Anchor** X8
塑膠塞



⑧ **Board-Card Template** X1
定位板

