

6781-S0-80CP

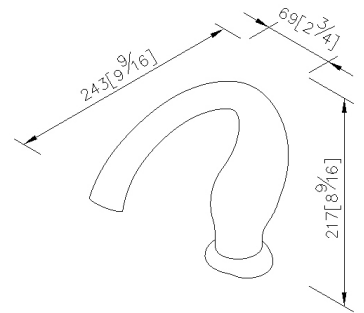
**INTRODUCTION:**

The overall concept of ETHER Series Faucet is based on the idea of illimitable space outside of sky, and it has also been mentioned by philosophers of Greek and China Taoism. The smooth lines and dim imagine are like aurora on ether and current in deep ocean. The unique design of ETHER breaks so-called shape and brings faucet to artistic decoration level.



**DESCRIPTION:**

1. Infrared Sensor Automatic Detection
2. Safety Guard: Valve off if water flowing over 60sec.
3. Automatically detect the environment, adjust the sensor, and have anti-interference function.
4. Inner filter prevent the blockage of sensor valve.
5. Power Source: Alkaline Battery AA x 4, DC6V(1.5V x 4)
6. Battery life test: about 300,000 alkaline batteries; about 100,000 carbon zinc batteries.
7. Flush Mode: Water start flowing if valid sensing around 0.5sec~1.0sec
8. Low power prompt: When battery power is low, red indicator light will be flashed for prompting battery replacement.
9. The faucet valve can stand the pressure from 0.5 to 6 kgf/cm<sup>2</sup>



unit:mm[inch]

**Certification:**

**Fixing Kits:**

- 1. Hex Key 2.0mm\*1
- Set Screw\*4
- Plastic Anchors\*4
- Clip\*1

**AWARD:**