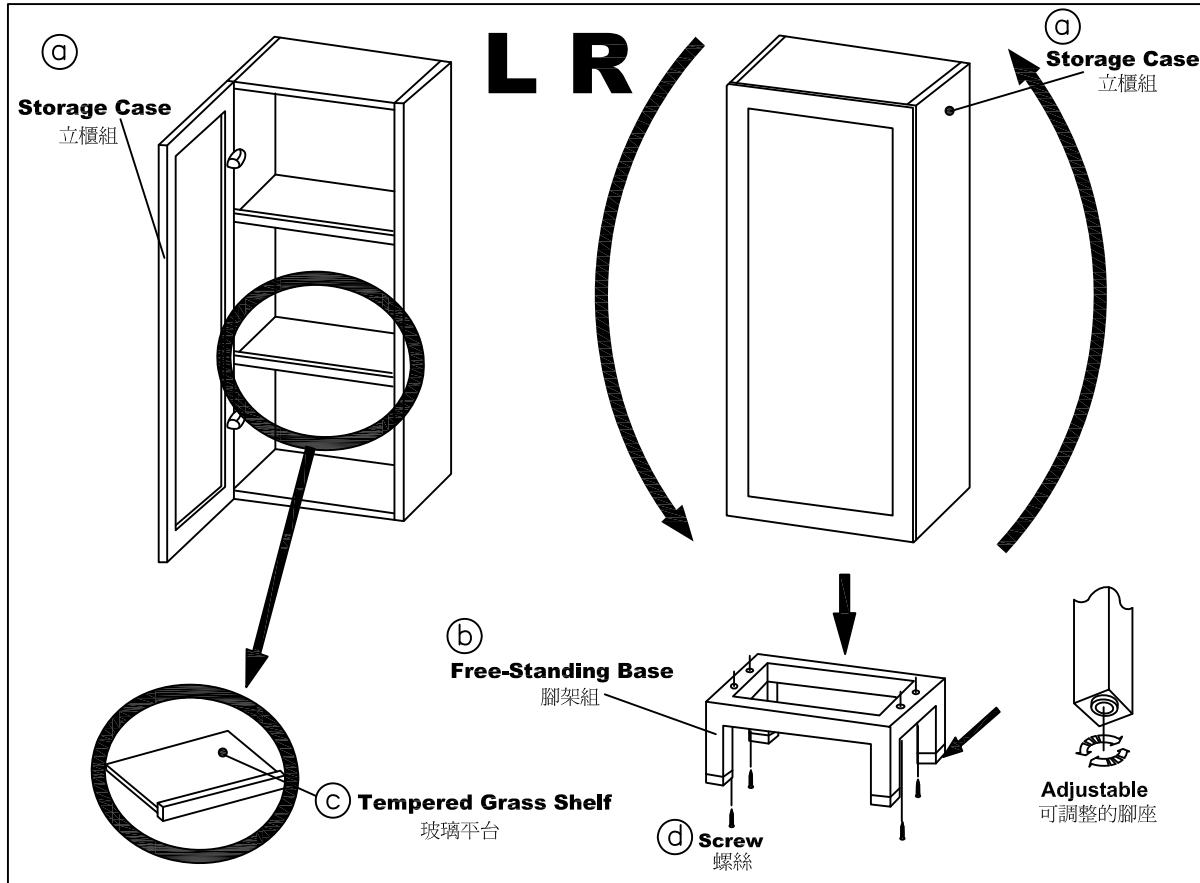


INSTALLATION GUIDE

FREE-STANDING TYPE CABINET

立櫃組安裝說明



This **Storage Case** can be flipped before secure it on **Free-Standing Base**, it will allow the **Case-Door** open from **Left Side** or **Right Side**.

此立櫃組能夠翻轉, 供選擇要左開立櫃門或右開立櫃門後, 再依以下程序與腳架組組合.

a. Make up **Storage Case** and **Free-Standing Base** with attached screws component as shown in Figure.

a. 將立櫃組和腳架組用螺絲鎖上固定.

b. Adjust 4 feet of **Free-Standing Base** to the same height.

b. 調整腳架組的四個腳座高度, 使立櫃平整.

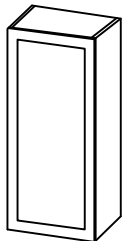
c. Place **Tempered Glass Shelves** into **Storage Case**.

c. 在立櫃組內裝上2塊玻璃平台, 即完成安裝程序.

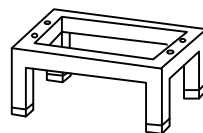
FIXING CONTENTS

組配件內容

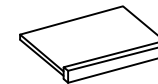
(a) **Storage Case x 1**
立櫃組



(b) **Free-Standing Base x 1**
腳架組



(c) **Tempered Glass Shelf x 2**
玻璃平台



(d) **Screw x 4**
螺絲

