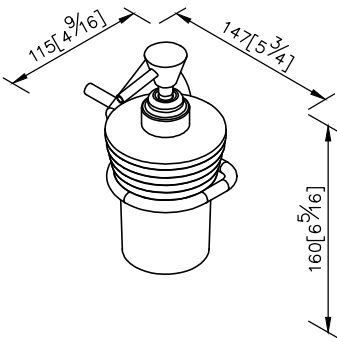
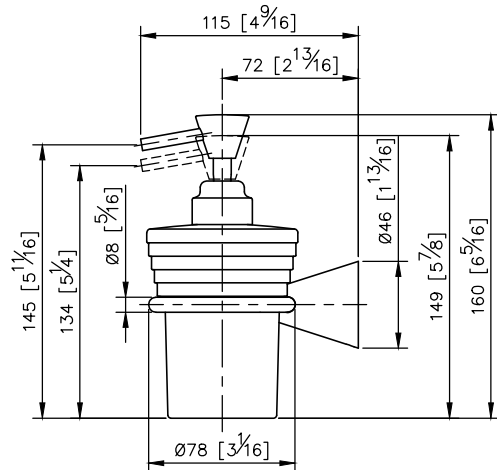
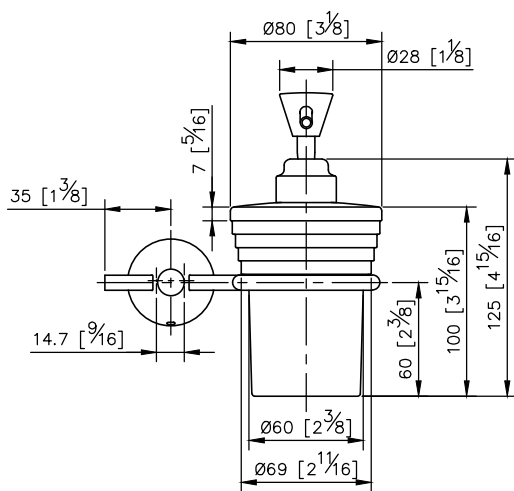
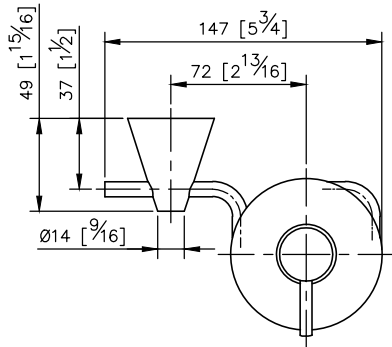


**Soap Dispenser**  
**6874-25-80CP**



- 1.Brass forging mounting base meets JIS 3771 standard.
- 2.Brass supporting ring meets JIS 3604 standard.
- 3.Justime finishes resist corrosion and tarnish.
- 4.Chrome plated finish meets the standard of ASTM-SC2.
- 5.Frosted glass soap dispenser increases visual softness.
- 6.Vertical force could support a static load of 2 Kgf.
- 7.Capacity of soap dispenser is 200ml.
- 8.Coordinates with other products in 6874 collection.

unit: mm[inch]



**Mounting Template Specification**

