

Built-In Shower Faucet
6875-J3-81CP

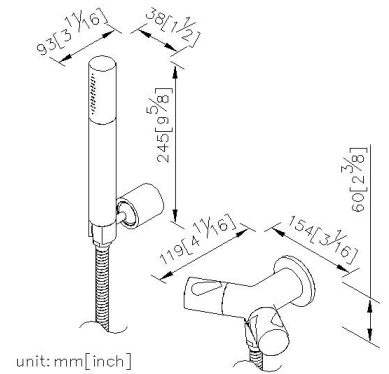
INTRODUCTION:

YES series is designed with brief lines and geometric cylinder to simplify the outer shape and present the absolute image. The YES 2 series is developed with more strict standards than the YES series to examine the consistency of products and design concepts. Concealed waterway module replaces traditional elbow high-pressure pipes and other structures, greatly reducing the appearance of seams and plastic gaskets, etc., to achieve a simpler and cleaner appearance.



DESCRIPTION:

- 1.Brass material of body meets JIS 3771 standard.
- 2.Ceramic valve Past 500,000 life cycle test.
- 3.Chrome plated finish meets the standard of ASTM-SC2.
- 4.Material of concealed valve is Lead-Free Brass C46400.
- 5.Applicable water pressure 1 ~ 4 (Kg / cm ^ 2)
- 6.1.5m flexible telescopic hose can be extended to 2m.
7. The shower hose has a built-in TPE flexible hose, which can bear water pressure 10kg / cm ^ 2 and temperature 70 °C.
- 8.Coordinates with other products in Yes 2 collection.



Certification:

Fixing Kits:

- 1.SUS 304 Stainless Steel Screws*2
- Plastic Anchors*2
- Material of Wall Mount Bracket: PC*1

AWARD:

