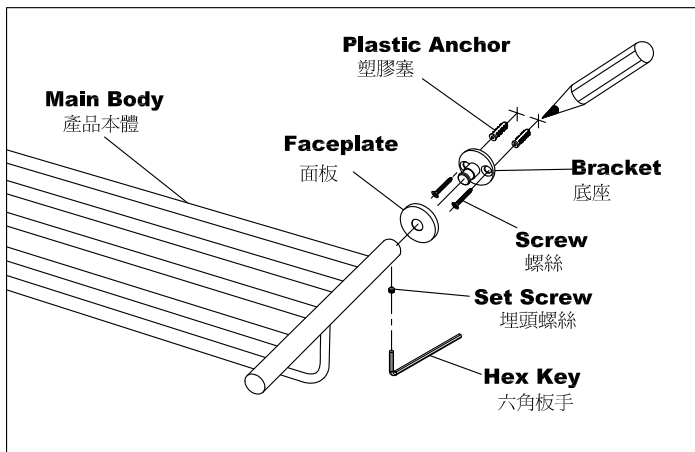


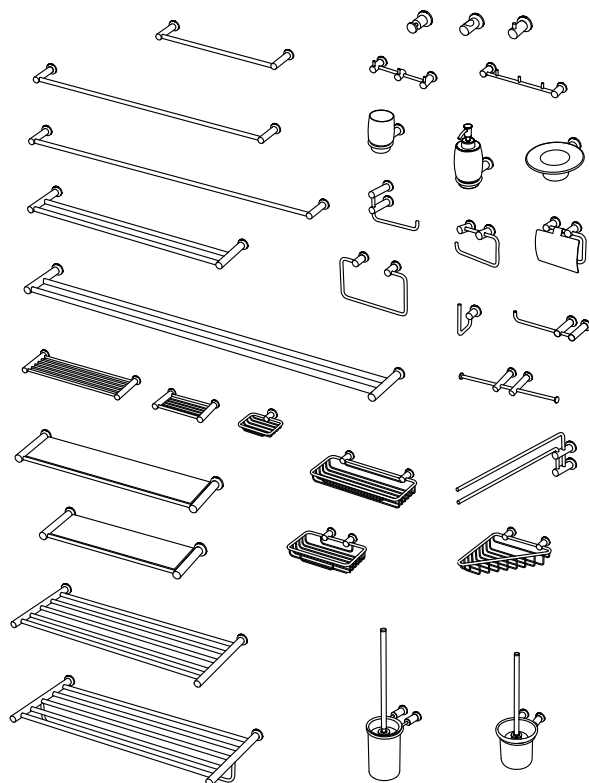
INSTALLATION INSTRUCTIONS

7806安裝說明

1. Loosen the **Set Screw** and disassemble the components for installation.
用隨附的六角扳手將埋頭螺絲鬆開。使主體與底座分離。
2. Use **Bracket** as template to locate appropriate drilling centers with pencil.
用底座為樣板點繪出要鑽孔的位置。
3. Drill holes in your marked locations. When mounting on drywall, insert **Plastic Anchors**. Attach **Bracket** to wall with **Screws**.
水泥牆在鑽孔後使用隨附的塑膠塞，然後將底座鎖在牆上，並確認已完全固定。
4. Place **Faceplate** over center stem of the **Bracket** and hold in place. Press the **Main Part** tightly over the center stem of **Bracket** and secure with **Hexagon Key**.
先將面板套入底座，再將主體套入底座，然後用六角扳手將埋頭螺絲鎖緊，完成安裝程序。



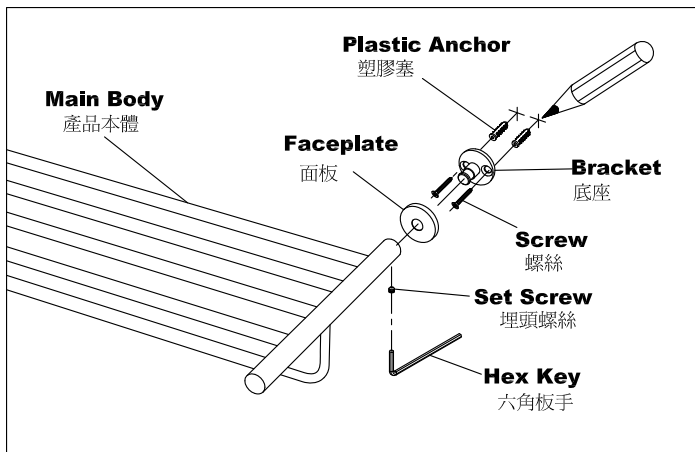
7806 SERIES:



INSTALLATION INSTRUCTIONS

7806安裝說明

1. Loosen the **Set Screw** and disassemble the components for installation.
用隨附的六角扳手將埋頭螺絲鬆開。使主體與底座分離。
2. Use **Bracket** as template to locate appropriate drilling centers with pencil.
用底座為樣板點繪出要鑽孔的位置。
3. Drill holes in your marked locations. When mounting on drywall, insert **Plastic Anchors**. Attach **Bracket** to wall with **Screws**.
水泥牆在鑽孔後使用隨附的塑膠塞，然後將底座鎖在牆上，並確認已完全固定。
4. Place **Faceplate** over center stem of the **Bracket** and hold in place. Press the **Main Part** tightly over the center stem of **Bracket** and secure with **Hexagon Key**.
先將面板套入底座，再將主體套入底座，然後用六角扳手將埋頭螺絲鎖緊，完成安裝程序。



7806 SERIES:

